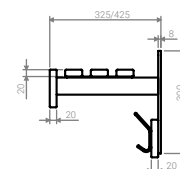
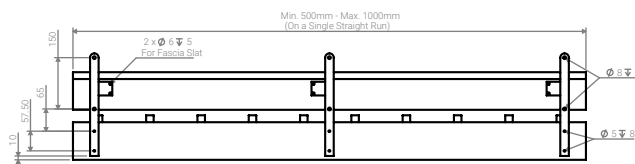
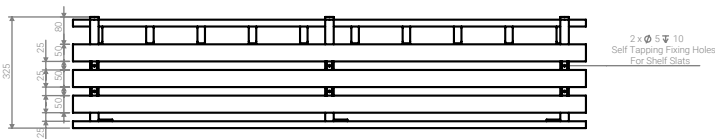
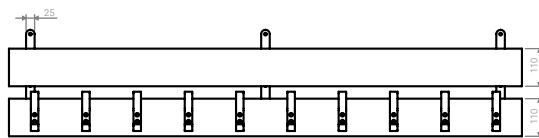
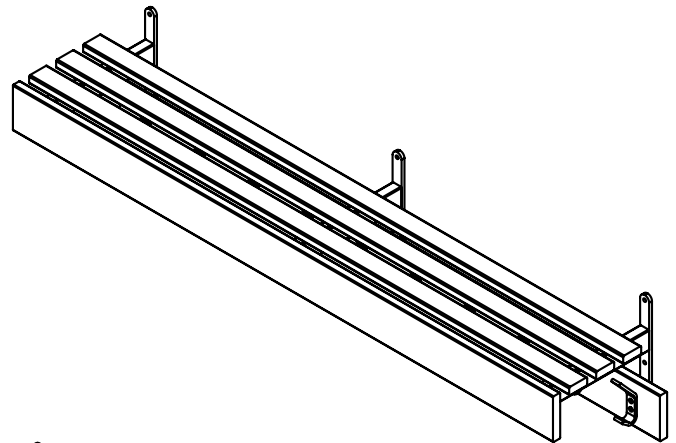


### Data Sheet

|                  |   |
|------------------|---|
| Unit Description |   |
| Category         | Changing & Cloakroom Furniture                                |
| Sub Category     | Shelf Over Units  |
| Notes            | Unless otherwise specified dimensions are in millimetres (mm) |



Established 1962  
Registered in England and Wales  
Company Number: 9089238  
VAT reg. No: 158 2507 59

Boyco (UK) Ltd  
Europa Way  
Cheadle Heath  
Stockport SK3 0XE

T: 0161 428 7077  
E: enquiries@boyco.uk.com  
W: www.boyco.uk.com

The information contained in this drawing is the sole property of Boyco.  
Any reproduction in part or as a whole without the written permission of Boyco is prohibited.