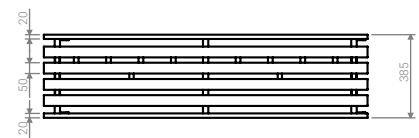
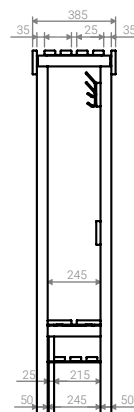
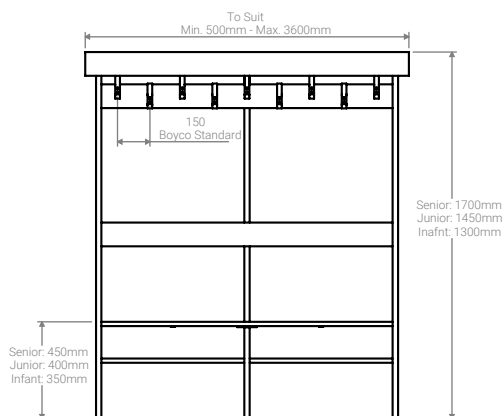
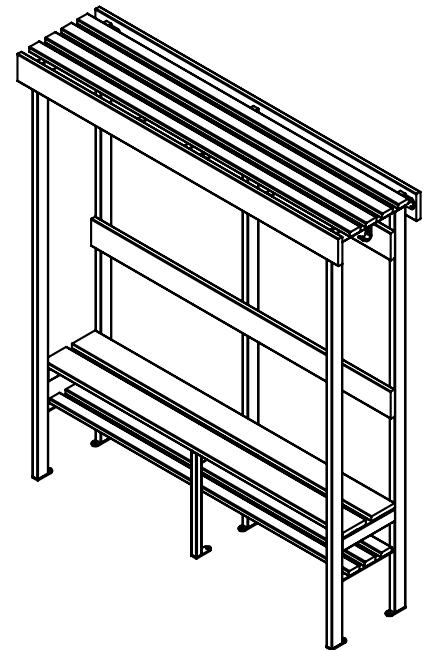
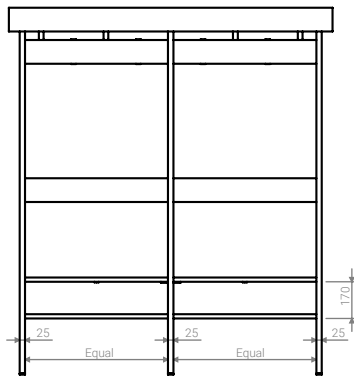


## SSA/S1 (325)

### Data Sheet

Unit Description	Single Sided Free Standing Island Unit With Shelf Over
Category	Changing & Cloakroom Furniture
Sub Category	Shelf Over Units
Notes	Unless otherwise specified dimensions are in millimetres (mm)



Established 1962  
Registered in England and Wales  
Company Number: 9089238  
VAT reg. No: 158 2507 59

Boyco (UK) Ltd  
Europa Way  
Cheadle Heath  
Stockport SK3 0XE

T: 0161 428 7077  
E: enquiries@boycouk.com  
W: www.boycouk.com

The information contained in this drawing is the sole property of Boyco.  
Any reproduction in part or as a whole without the written permission of Boyco is prohibited.