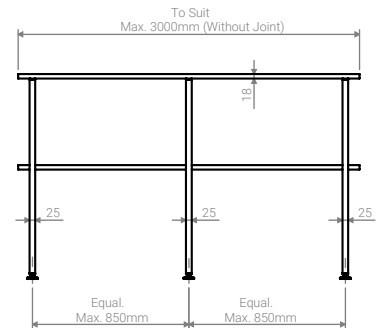
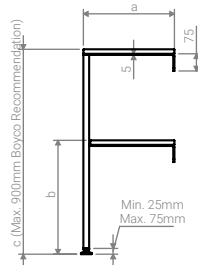
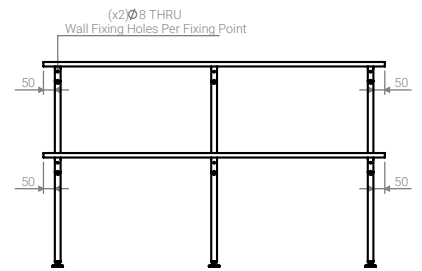
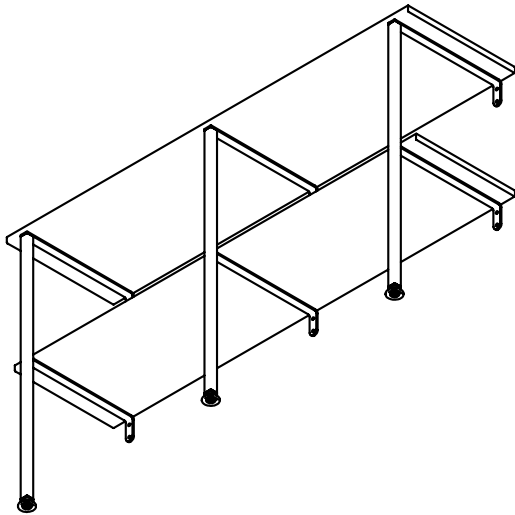


E2(L)

Data Sheet

Unit Description	2-Tier Fixed Heavy Duty Shelving Unit
Category	Fixed & Adjustable Shelving Systems
Sub Category	Fixed Shelving
Notes	Unless otherwise specified dimensions are in millimetres (mm)



Established 1962
 Registered in England and Wales
 Company Number: 9089238
 VAT reg. No: 158 2507 59

Boyco (UK) Ltd
 Europa Way
 Cheadle Heath
 Stockport SK3 0XE

T: 0161 428 7077
 E: enquiries@boycouk.com
 W: www.boycouk.com

The information contained in this drawing is the sole property of Boyco.
 Any reproduction in part or as a whole without the written permission of Boyco is prohibited.